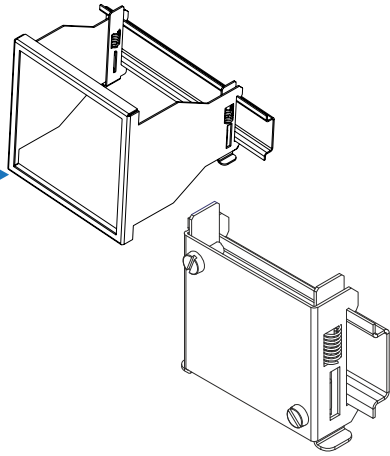


ADAPTER ATS

FOR DIN RAIL TS35



USER'S MANUAL



1. APPLICATION AND CONSTRUCTION OF THE ADAPTER

ATS adapter is designed for mounting of panel instruments in accordance with IEC 61554 DIN on TS35 DIN EN 60715 rail or for transducers of P18 series. The Construction (Figure 1 and 2) is made of galvanized steel and consists of five parts: the main sheet, two hooks and two springs.

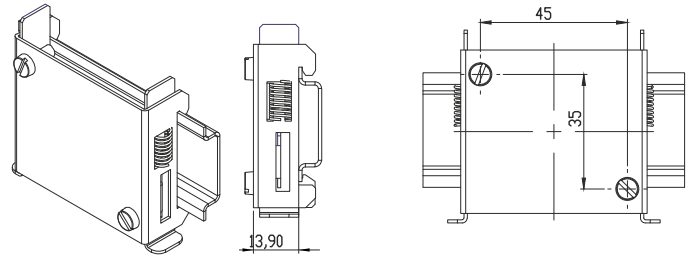
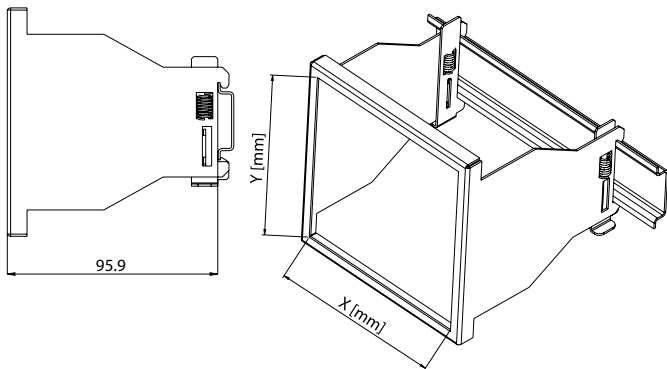


Figure 2. View of the ATS mount on the DIN rail TS35 - adapter for P18 transducers.

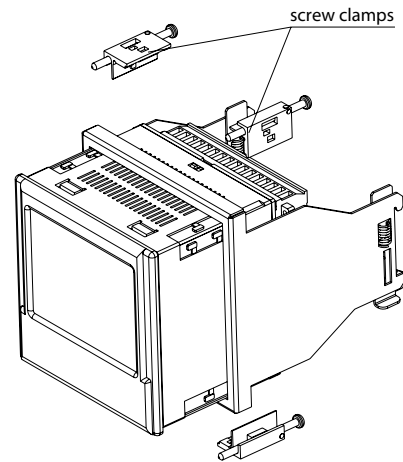
2. ADAPTER SET

The set is composed of:

- adapter ATS 1 pc.
- user's manual 1 pc.

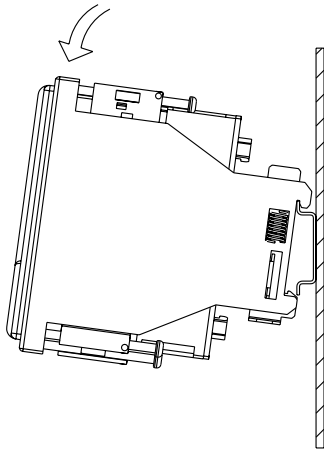
3. FIXING

Panel meter should be fixed in the mounting hole of the ATS adapter (figure 2a).



a) fixing the panel meter into the adapter

Figure 1. View of the ATS mount on the DIN rail TS35.



b) fixing the set on the DIN rail TS35

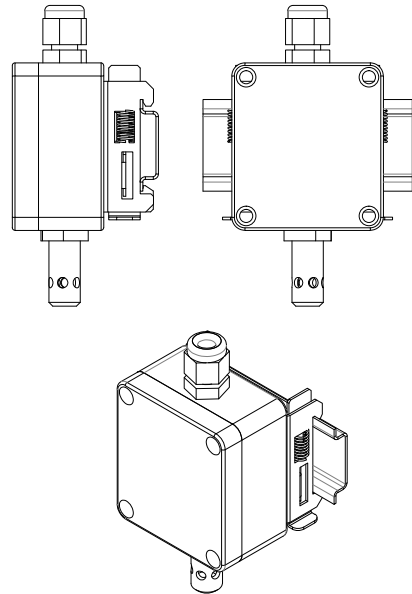
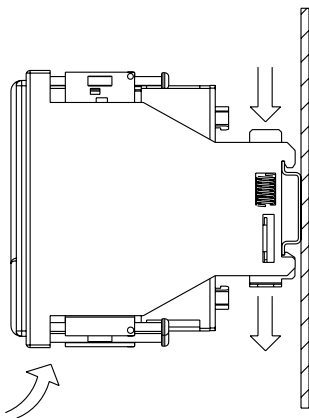


Figure 3. Fixing the transducer of P18X series into the adapter.

4. DISASSEMBLY

ATS adapter holder design allows for easy disassembly of the set. In order to do this, simultaneously press the two protruding parts (at the top or bottom of the holder) and by pivoting the set remove it from the rail (Figure 2c).



c) disassembly of the set

Figure 2. Fixing way of the panel meter into the adapter, fixing way and disassembly of the set.

Fix the panel meter into the ATS adapter with screw clamps that are supplied with the panel meter.
Carry out the required electrical connections of the panel meter.
Fix the set on the DIN rail accordingly to figure 2b in order to latch the holders on the lower part of the DIN rail TS35.

ATS-09A
60-006-00-00954



LUMEL S.A.

ul. Słubicka 4, 65-127 Zielona Góra, Poland
tel.: +48 68 45 75 100, fax +48 68 45 75 508
www.lumel.com.pl

Technical support:

tel.: (+48 68) 45 75 143, 45 75 141, 45 75 144,
45 75 140
e-mail: export@lumel.com.pl

Export department:

tel.: (+48 68) 45 75 130, 45 75 131, 45 75 132
e-mail: export@lumel.com.pl

Calibration & Attestation:

e-mail: laboratorium@lumel.com.